

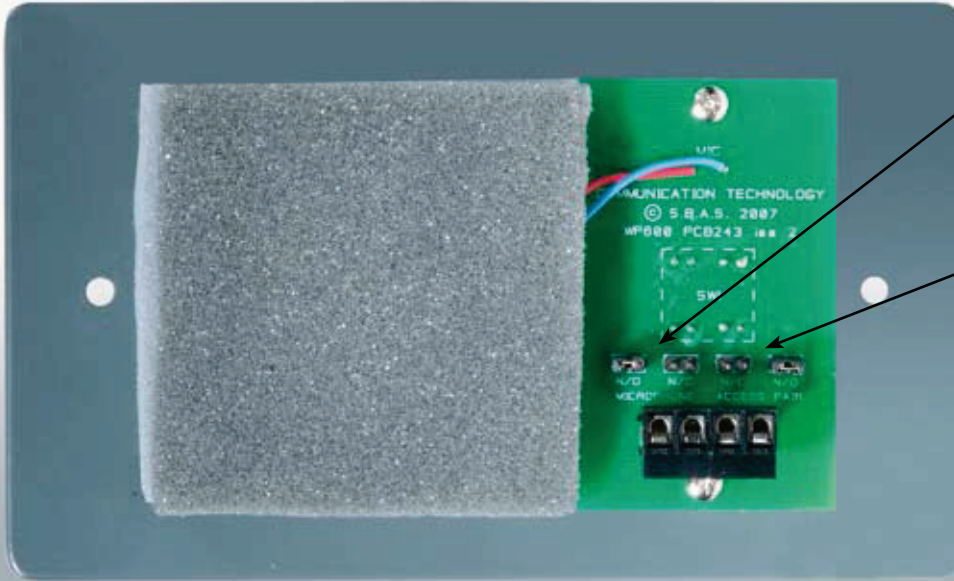
Wall Mounted Microphone



WP600 is designed for use as a wall mounted call point and comprises a rugged dynamic microphone and momentary PRESS-TO-TALK switch fitted to a UK double switchplate, designed to fit in back boxes of at least 40mm depth, surface or flush mount according to the installation needs.

WALL MOUNTED MICROPHONE

CONNECTIONS: *MODE SELECTION*



Microphone:
Normally closed:
place 'jumper' over N/C

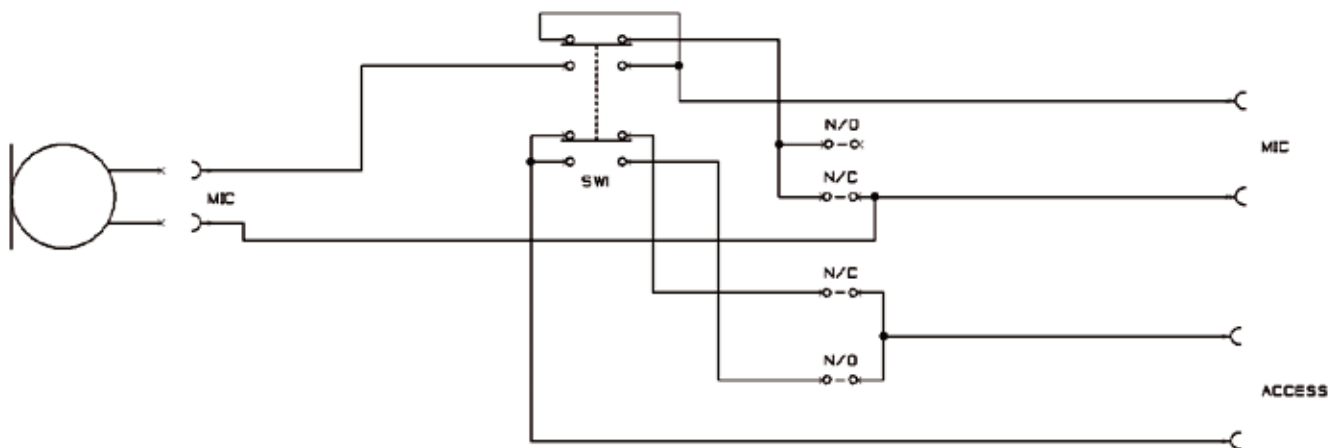
Normally open:
place 'jumper' over N/O

Access:
Normally closed:
place 'jumper' over N/C

Normally open:
place 'jumper' over N/O

*Indicates circuit status with
press-to-talk button at rest

CIRCUIT DIAGRAM



TECHNICAL SPECIFICATION

Product IP Rating: IP62
Microphone Capsule: Dynamic
Frequency response: \pm 6dB 300 to 3500Hz
Impedance: 600R (2400R to special order)
Output level: -57dB @ 1KHz
Panel size: 150mm x 90mm
Panel finish: Basalt Grey, power coat
Recommended back box depth: 40mm
Fixing screws supplied: 3.5mm, security head
Product order code: WP600

The switchplate is built from 3mm aluminium and power coated in hard wearing polymer. Plug-on screw terminations allow for the host system wiring to be completed before installing WP600.

The 600ohm dynamic microphone capsule is shock-mounted and pin proof, the open cell foam used is self draining; WP600 is protected against abuse and misuse.

The push button PRESS TO TALK switch can be pre-selected on its host printed circuit to provide either open circuit and short circuit 'at rest' status for both MICROPHONE and ACCESS pairs.

PO Box 66, Uckfield, East Sussex TN22 3ZR, UK
Telephone: +44 (0)1825 766363
UK Freephone: 0800 917 8488 Fax: +44 (0)1825 766361
Email: sales@communication-technology.co.uk
Web: www.communication-technology.co.uk

