

Vandal Proof Microphone



VP892 is a vandal proof microphone with push switch and 'active' LED mounted on a UK double switchplate designed to fit on back boxes of at least 40mm depth.

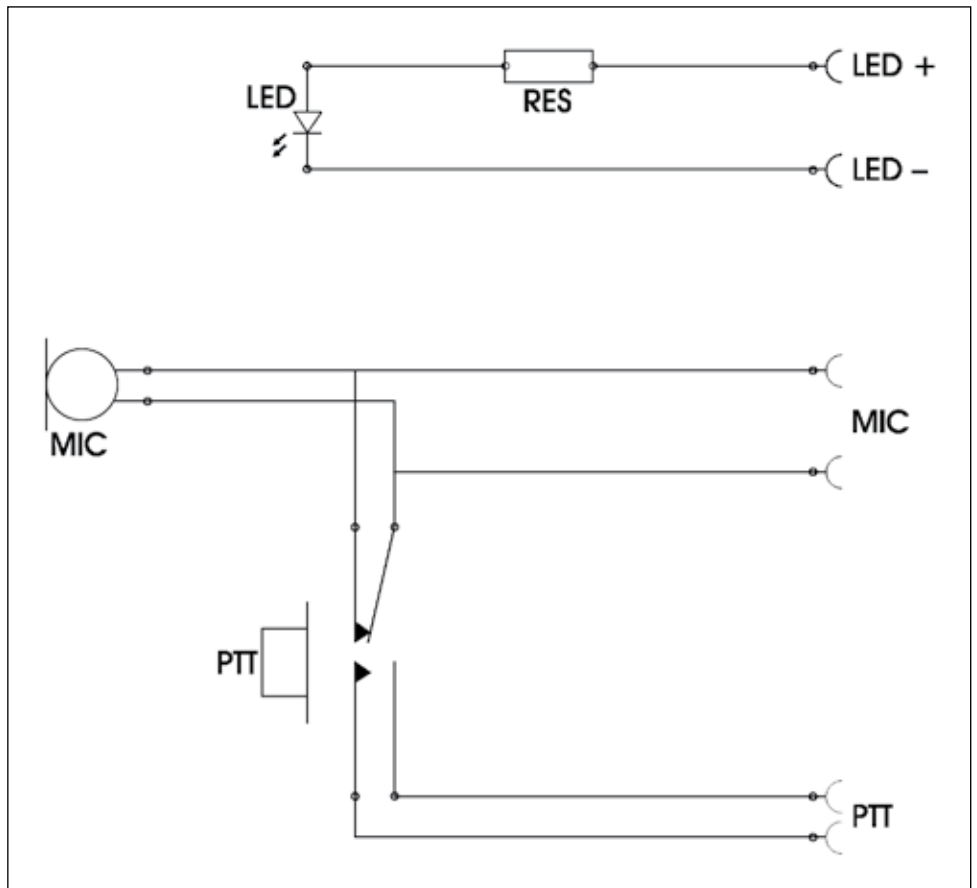
Vandal Proof Microphone

The switchplate is of stainless steel with integral microphone grille designed for close talk use; the entire assembly is showerproof to IP65, including vandal resistant switch and 4mm LED, and designed for use in a public place or in a manufacturing process where vandal resistance is judged to be appropriate or heavy-handed use an expectation.

The rugged 'pinproof' microphone capsule, available in impedances of 600 and 2400 ohms, is internally protected by an open cell plastic foam.

When not in use, the microphone capsule is shorted; a separate pair of 'dry' contacts close when the CALL button is pressed. These contacts can be used for systems access or gating.

The plug-on screw terminations allow for system wiring to be completed before installing VP892.



TECHNICAL SPECIFICATION VP892

Frequency response

± 6dB 300 to 3500KHz

Impedance

600 or 2400 OHMS

Output Level

-57dB @ 1KHz

Finish

Stainless steel

Panel Dimensions

146 long x 86 wide

Minimum rear depth behind panel

40mm

Installers please note:

1. A resistor is fitted in series with the LED, so that this may be operated from 15/24V d.c., please observe polarity
2. To retain the finish of this product wipe over with a soft cloth using non abrasive wax polish
3. TAKE CARE TO ENSURE THAT THE BACK BOX AND SWITCHPLATE ARE GROUNDED (EARTHED) TO THE SYSTEM GROUND

Order codes

VP892/600 – 600R impedance

VP892/2400 – 2400R impedance

PO Box 66, Uckfield, East Sussex TN22 3ZR, UK
Telephone: +44 (0)1825 766363
UK Freephone: 0800 917 8488 Fax: +44 (0)1825 766361
Email: sales@communication-technology.co.uk
Web: www.communication-technology.co.uk

