



A Division of SCARECROW BIO-ACOUSTIC SYSTEMS LIMITED

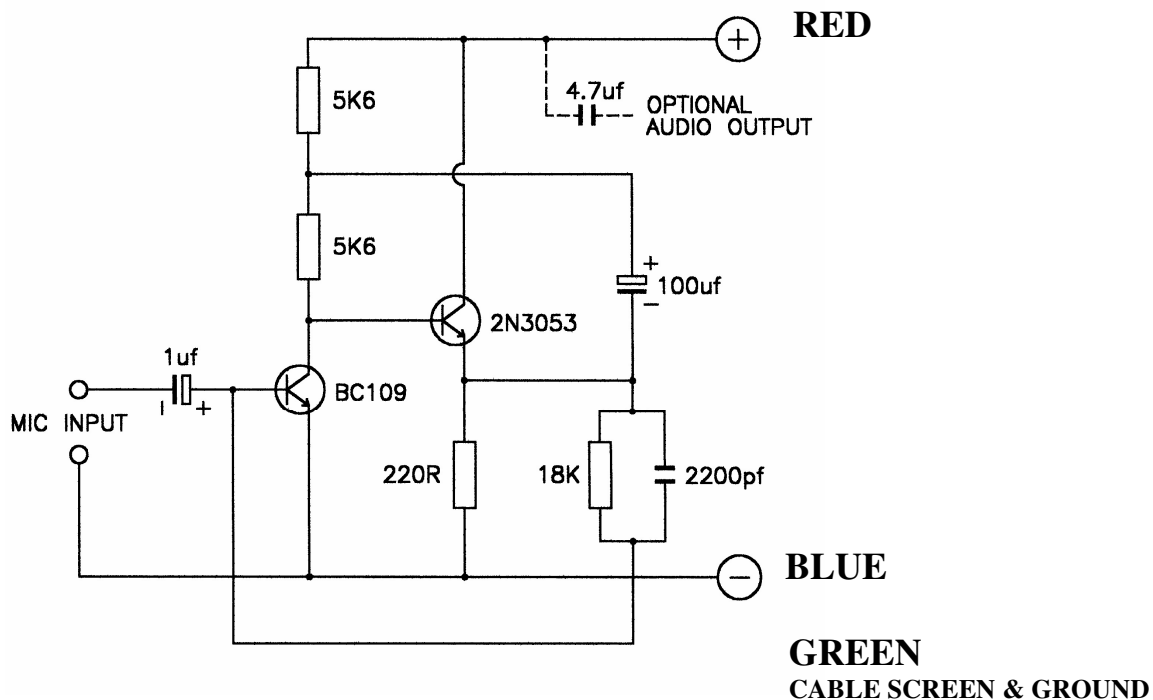
## PRE-AMPLIFIER : /MFPA

### F86 MICROPHONE TO LINE LEVEL PRE-AMPLIFIER

This product is housed within a **circular flange base** optionally fitted to the F86 heavy-duty gooseneck microphone, providing 3 hole fixing for the whole assembly.

As standard, MFPA is negative ground (0V) with a common positive supply / audio output connection. It may be necessary to take the audio output via a small value tantalum capacitor, typically 4.7uf 35V, from the common positive supply; the host system configuration will determine this attachment and the system manufacturers Manual should be consulted.

The pre-amplifier is gain stabilised and has a tailored frequency response limited from 300Hz to 3.8KHz.



CT Manuals / MFPA-PREAMP

PO Box 66, Uckfield, East Sussex, TN22 3ZR, England  
Telephone: +44(0) 1825 766363 Fax: +44(0) 1825 766361 UK Freephone: 0800 917 8488  
E-mail: sales@communication-technology.co.uk Website: www.communication-technology.co.uk

REGISTERED IN ENGLAND NO. 01568506 VAT REGISTRATION NO. GB680 0269 46  
REGISTERED OFFICE: 8 LONSDALE GARDENS, TUNBRIDGE WELLS, TN1 1NU





A Division of SCARECROW BIO-ACOUSTIC SYSTEMS LIMITED

## USING F86/E MICROPHONES

This microphone is fitted with an ELECTRET capsule with F.E.T. pre-amplifier and requires a d.c. polarising voltage to make it operate.

There are five flexibles to connect to your chosen amplifier:

BLUE : Audio output  
RED : Polarising voltage POSITIVE  
GREEN : Ground, Audio ground, and polarising  
voltage NEGATIVE

The polarising voltage can be in the range 6V and 15V d.c.; microphone sensitivity will marginally increase with applied voltage.

## TYPICAL PERFORMANCE DATA

Sensitivity : -60dB  $\pm$  3dB  
Impedance : 600 R  
Frequency response : 100Hz to 12KHz  
Current drain : less than 400uA  
Signal to noise ratio : better than 40dB

**ENSURE THAT THE GOOSENECK IS 'GROUNDED' ON ASSEMBLY TO YOUR CHOSEN BASE.**

CT Manuals / F86-E

PO Box 66, Uckfield, East Sussex, TN22 3ZR, England  
Telephone: +44(0) 1825 766363 Fax: +44(0) 1825 766361 UK Freephone: 0800 917 8488  
E-mail: sales@communication-technology.co.uk Website: www.communication-technology.co.uk

REGISTERED IN ENGLAND NO. 01568506 VAT REGISTRATION NO. GB680 0269 46  
REGISTERED OFFICE: 8 LONSDALE GARDENS, TUNBRIDGE WELLS, TN1 1NU





A Division of SCARECROW BIO-ACOUSTIC SYSTEMS LIMITED

## RUGGED CHECK-OUT MICROPHONE

### CONNECTION DETAILS: F86/CO MKII

This well established heavy duty microphone is designed for rugged uses, from Supermarket Check-Outs, Buses, to Dock Cranes.

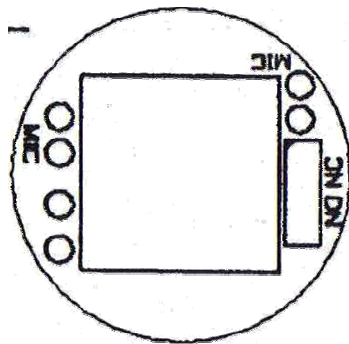
The 550mm plastics covered gooseneck is terminated with a circular fixing base, type /UM, which should be firmly attached to a suitable surface.

**MICROPHONE OUTPUT : RED / BLACK**  
**ACCESS PAIR :YELLOW / WHITE**

A **PRESS TO TALK** switch is integral with the Microphone Head and, for ACCESS use, the independent cable pair can be either normally **open** circuit (on activating PTT these are closed) or normally **closed** circuit (on activating PTT these are opened).

*The microphone pair is always shorted when PTT is not in use.*

AS STANDARD, F86/CO MKII IS SUPPLIED WITH THE ACCESS PAIR NORMALLY **OPEN**; TO CHANGE THIS TO NORMALLY **CLOSED** PLEASE NOTE:



To gain access to make the adjustment, carefully remove the two screws retaining the RED PUSH BUTTON assembly and withdraw this to observe the round P.C.B. under. Remove, by lifting, the coloured 'jumper' from its position across NC and replace across NO.

Then carefully re-place the RED PUSH BUTTON assembly – avoid compressing the wires around it – within the microphone housing and replace the two fixing screws; tighten these.

**In the event of any questions, please contact your Supplier or our Service Department on 0800 917 8488.**

CT Manuals / F86-CO

PO Box 66, Uckfield, East Sussex, TN22 3ZR, England  
Telephone: +44(0) 1825 766363 Fax: +44(0) 1825 766361 UK Freephone: 0800 917 8488  
E-mail: sales@communication-technology.co.uk Website: www.communication-technology.co.uk

REGISTERED IN ENGLAND NO. 01568506 VAT REGISTRATION NO. GB680 0269 46  
REGISTERED OFFICE: 8 LONSDALE GARDENS, TUNBRIDGE WELLS, TN1 1NU

